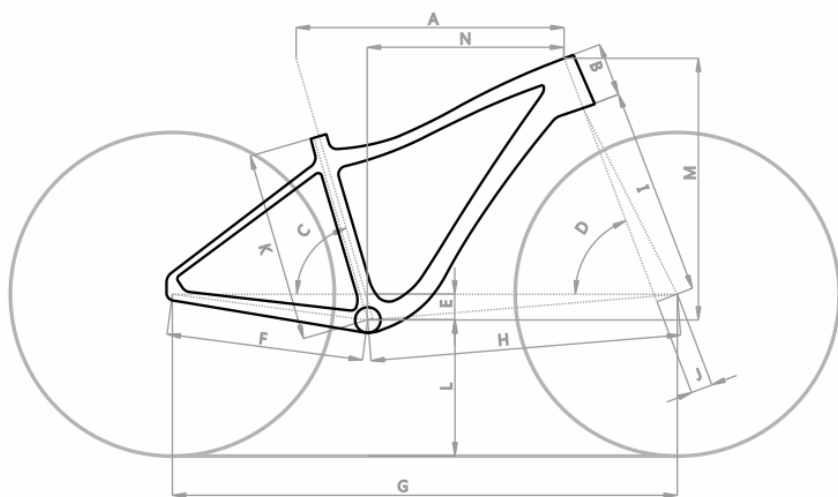


# RHINO.0 2019 SERIES



SIZE	TALLA	17"	19"	
A	Top tube length	Tubo horizontal	605	618
B	Head tube length	Tubo de dirección	120	130
C	Seat tube angle	Ángulo del sillín	73,5º	73º
D	Head tube angle	Ángulo de dirección	69,0º	69,0º
E	BB drop	Caída eje pedalier	60	60
F	Chain stay	Vaina	445	445
G	Wheel base	Distancia entre ejes	1140	1149
H	Front center	Longitud eje pedalier a horquilla delantera	701	710
I	Fork length	Longitud horquilla	470	470
J	Fork rake	Avance de la horquilla	50	50
K	Seat tube total length	Longitud tubo sillín	430	480
L	BB height	Altura pedalier	305	305
M	Stack	Stack	305	305
N	Reach	Reach	320	320

measures in mm / medidas en mm



## RHINO.0 frame

## RHINO.0 cuadro

Sizes	Tallas	17" 19"
Headset	Dirección	1-18" -1.5" tapered, IS42upper -IS52 lower
Seatpost diameter	Diámetro tija sillín	31.6 mm
Seat collar	Diámetro cierre sillín	34.9mm
Front derailleurs type	Desviador, tipo	top pull, high direct mount (42 mm offset from seat tube axle, via adaptor)
Bottom bracket	Caja pedalier	BSA 100mm
Rear brake mount	SopORTE freno disco	Post Mount
Rear spacing	Espaciado trasero	190 x 12mm thru axle
Derailleur hanger	Pata cambio	SHT.172505
Bottle mount	Soportes bidón	1
Rack braze-on	SopORTE portabultos	yes
Internal cable routing	Guiado interno de cables	brakes & gears
Allowed wheel/tire size	Tamaño rueda/cubierta permitido	26 x 2.5-4.5" on up to 100mm rim (1x drive train only), 27.5 x 2.5-3.8", 29 x 2.25-3" (*)
Suitable for suspension forks	Apto para horquillas de suspensión	Yes (with SPICLES R-Collar)
Weight	Peso	1,27kg (size 17") (* ask us for rim-wheel combination size)

## SPICLES CF 29 FORK

## SPICLES CF 29 FORK

Fork length	Longitud horquilla	488mm
Stem clamp	Diámetro potencia	Ø 28.6mm
Crown race	Diámetro tubo dirección	Ø 40mm
Front brake mount	SopORTE freno disco	Post Mount
Front spacing	Espaciado delantero	150 x 15mm thru axle
Steerer options	Tubo dirección	1-8" - 1,5" tapered, carbon
Weight	Peso	630g



## RHINO.0

### PARTS & OPTIONS / PARTES Y OPCIONES

		<b>RHINO.0 R3 27.5</b>	<b>RHINO.0 R3 26</b>	<b>RHINO.0 R2</b>	<b>RHINO.0 R1</b>
<b>WEIGHT (size 17")</b>	<b>PESO (talla 17")</b>	<b>10,0kg</b>	<b>10,1kg</b>	<b>11,7kg</b>	<b>12,3kg</b>
<b>FRAME SET</b>	<b>CUADRO-HORQUILLA</b>				
FRAME	CUADRO	SPICLES RHINO.0 CF FRAME	SPICLES RHINO.0 CF FRAME	SPICLES RHINO.0 CF FRAME	SPICLES RHINO.0 CF FRAME
FORK	HORQUILLA	SPICLES CF FAT FORK ,1-1/8"-1,5" tapered ,15mm thru axle, carbon steerer 150mm hub spacing	SPICLES CF FAT FORK ,1-1/8"-1,5" tapered ,15mm thru axle, carbon steerer 150mm hub spacing	SPICLES CF FAT FORK ,1-1/8"-1,5" tapered ,15mm thru axle, carbon steerer 150mm hub spacing	SPICLES CF FAT FORK ,1-1/8"-1,5" tapered ,15mm thru axle, carbon steerer 150mm hub spacing
<b>WHEELS</b>	<b>RUEDAS</b>				
WHEELS	RUEDAS	SUNRINGLÉ MULEFÜT 27.5" 80mm ,150x15mm /190x12mm	SUNRINGLÉ MULEFÜT 26" 80mm ,150x15mm /190x12mm	SPICLES FR 26" 68mm rim+NOVATEC hub 15mm 150x15mm/190x12mm	SPICLES FR 26" 68mm rim+NOVATEC hub 15mm 150x15mm/190x12mm
TIRES	CUBIERTAS	MAXXIS ICON 27,5"x2.80" , TubeLess Ready	SCHWALBE Jumbo Jim HS 466, 26x4.00 TubeLess ready, ADDIX SPEEDGRIP	SCHWALBE Jumbo Jim HS 466 foldable, 26x4.00 , ADDIX	SCHWALBE Jumbo Jim HS 466 foldable, 26x4.00 , ADDIX
<b>DRIVETRAIN</b>	<b>GRUPO</b>				
CRANKSET	BIELAS / PLATO	SRAM GX EAGLE DUB FAT4, 175mm 11/12s, 30t, X-SYNC DM	SRAM GX EAGLE DUB FAT4, 175mm 11/12s, 30t, X-SYNC DM	SRAM GX EAGLE DUB FAT4, 175mm 11/12s, 30t, X-SYNC DM	SRAM GX, GXP, 175mm 11s, 36/24t
REAR DERAILLEUR	CAMBIO	SRAM GX EAGLE 12s	SRAM GX EAGLE 12s	SRAM GX EAGLE 12s	SHIMANO XT 11s.SHADOW+ GS DIRECT
FRONT DERAILLEUR	DESVIADOR				SHIMANO XT DYNA-SYS
CASSETTE	CASSETTE	SRAM GX EAGLE, 10-50t, 12s	SRAM GX EAGLE, 10-50t, 12s	SRAM GX EAGLE, 10-50t, 12s	SHIMANO SLX 11/46 11s
SHIFTER (REAR)	MANDO TRASERO	SRAM GX EAGLE TRIGGER 12s	SRAM GX EAGLE TRIGGER 12s	SRAM GX EAGLE TRIGGER 12s	SHIMANO SLX 11s RAPIDFIRE PLUS
SHIFTER (FRONT)	MANDO DELANTERO				SHIMANO SLX RAPIDFIRE PLUS
CHAIN	CADENA	SRAM PC EAGLE Hollow pin	SRAM PC EAGLE Hollow pin	SRAM PC EAGLE Hollow pin	SHIMANO HG701 DYNA-SYS 11s
BOTTOM BRACKET	PEDALIER	SRAM DUB BSA100	SRAM DUB BSA100	SRAM DUB BSA100	SRAM GXP BSA100
<b>BRAKE SET</b>	<b>FRENOS</b>				
BRAKES	FRENOS	SHIMANO SLX M7000	SHIMANO SLX M7000	SHIMANO M425, HYDRAULIC	SHIMANO M425, HYDRAULIC
ROTORS	DISCOS	SHIMANO SM-RT66,160 mm,6 bolts	SHIMANO SM-RT66,160 mm,6 bolts	SHIMANO SM-RT66,160 mm,6 bolts	SHIMANO SM-RT66,160 mm,6 bolts



COMPONENTS	COMPONENTES				
HEADSET	DIRECCIÓN	INTEGRATED 1-1/8"-1,5", ACB sealed bearing	INTEGRATED 1-1/8"-1,5", ACB sealed bearing	INTEGRATED 1-1/8"-1,5", ACB SEALED BEARINGS	INTEGRATED 1-1/8"-1,5", ACB SEALED BEARINGS
SEATPOST CLAMP	CIERRE SILLÍN	CARBON 34,9mm	CARBON 34,9mm	CARBON 34,9mm	CARBON 34,9mm
SEATPOST	TIJA SILLÍN	SPICLES CARBON 400mm 31,6mm	SPICLES CARBON 400mm 31,6mm	XLC ALL RIDE 31,6mm , 400mm	XLC ALL RIDE 31,6mm , 400mm
SADDLE	SILLÍN	SELLE ROYAL MATCH CLASSIC	SELLE ROYAL MATCH CLASSIC	SELLE ROYAL MATCH CLASSIC	SELLE ROYAL MATCH CLASSIC
HANDLEBAR	MANILLAR	SPICLES CARBON FLAT BAR 680 x 31,8mm	SPICLES CARBON FLAT BAR 680 x 31,8mm	SPICLES CARBON FLAT BAR 680 x 31,8mm	XLC PRO ALL MOUNTAIN 12°, 31,8mm, 760mm
STEM	POTENCIA	XLC ALL RIDE, 70mm, +/-7°, 31.8mm	XLC ALL RIDE, 70mm, +/-7°, 31.8mm	XLC ALL RIDE, 70mm, +/-7°, 31.8mm	XLC ALL RIDE, 70mm, +/-7°, 31.8mm
GRIPS	PUÑOS / CINTA	T-One Dot, LOCK-ON	T-One Dot, LOCK-ON	T-One Dot, LOCK-ON	T-One Dot, LOCK-ON
SIZES	TALLAS	17" 19"	17" 19"	17" 19"	17" 19"

We reserve the right to modify the characteristics of our products, including equipment, colors and materials without prior notice. / Nos reservamos el derecho a modificar las características de nuestros productos, incluido el equipamiento, colores y materiales sin previo aviso.