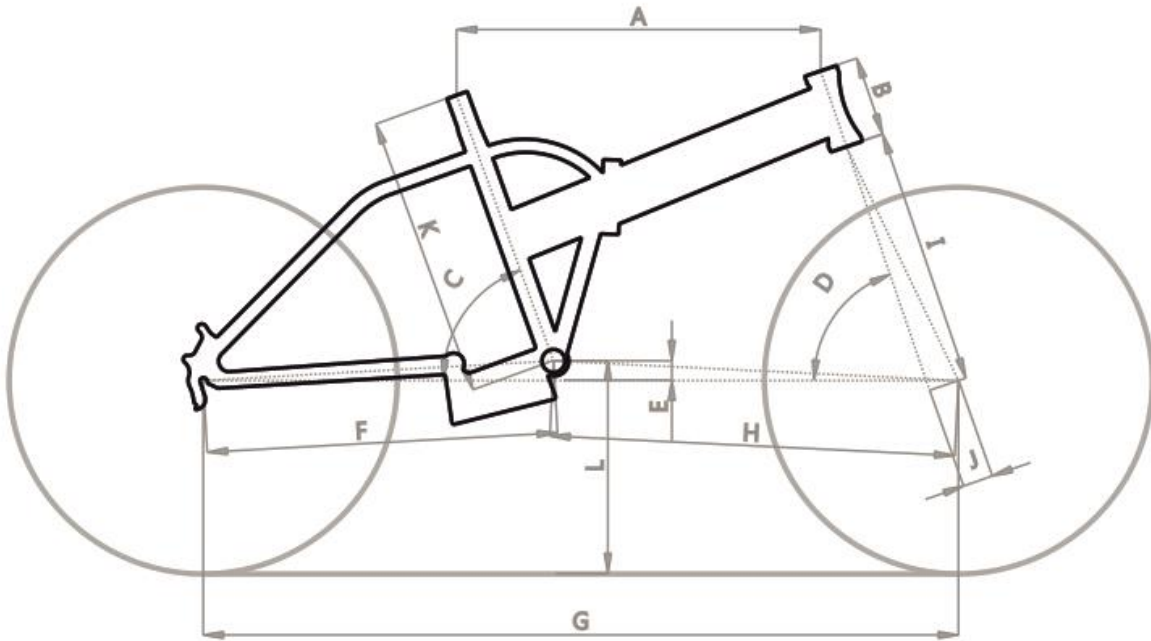


SUB 1.0

| SUB 1.0 FRAME | | Cuadro SUB 1.0 |
|--------------------------------|--|---|
| Sizes | Tallas | UNIQUE |
| Headset | Dirección | SEMI INTEGRATED 1-18" (ZS44/28.6upper -ZS44/30 lower) |
| Seatpost diameter | Diámetro tija sillín | 27.2 mm |
| Seat collar | Diámetro cierre sillín | 31,8 mm |
| Bottom bracket | Caja pedalier | BSA 24TPI |
| Rear brake mount | Soporte freno disco | I.S disk brake mount |
| Rear spacing | Espaciado trasero | 175mm x 9mm QR |
| Derailleur hanger | Patilla cambio | SHT.172507 |
| Braze on | Soporte portabultos | yes |
| Allowed wheel/tire size | Tamaño rueda/cubierta permitido | 24" x 4" |
| CHARGUER | CARGADOR | AC 100-240V,2A SMART CHARGER |
| CHARGING TIME | TIEMPO DE CARGA | 4-6 hours |
| CAPACITY | MAX.PESO PERMITIDO | 100Kg |
| RANGE | RANGO | 1:1 PAS mode, 55 km |
| SPEED | VELOCIDAD | 0-25km/h |



| SIZE | TALLA | Unique |
|--------------------------|---|--------|
| A Top tube length | Longitud ubo horizontal | 540,3 |
| B Head tube length | Longitud ubo de dirección | 120 |
| C Seat tube angle | Ángulo del sillín | 70,2° |
| D Head tube angle | Ángulo de dirección | 71,0° |
| E BB drop | Caida eje pedalier | 50 |
| F Chain stay | Longitud vaina | 520 |
| G Wheel base | Distancia entre ejes | 1125 |
| H Front center | Longitud eje pedalier a horquilla delantera | 611 |
| I Fork length | Longitud horquilla | 382 |
| J Fork rake | Avance de la horquilla | 35 |
| K Seat tube total length | Longitud tubo sillin | 420 |
| L BB height | Altura pedalier | 330 |

measures in mm / medidas en mm

SUB 1.0

COMPONENTS

| | | SUB 1.0 |
|--------------------------|--------------------------|---|
| COLORS | COLORES | MATT PEARL WHITE |
| SIZES | TALLAS | UNIQUE |
| FRAME SET | CUADRO/HORQUILLA | |
| FRAME | CUADRO | ALUMINIUM ALLOY , FOLDABLE GEOMETRY |
| MOTOR | MOTOR | 250W 8-FUN HUB MOTOR |
| BATTERY | BATERIA | 36v 8.8ah Li-ion SAMSUNG |
| CONTROLLER | CONTROLADOR | INTELLIGENT BRUSHLESS |
| P.A.S. | P.A.S. | 1:1 INTELLIGENT PEDAL ASSISTANT LCD |
| FORK | HORQUILLA | ALLOY REGULABLE SUSPENSION FORK |
| WHEELS | RUEDAS | |
| RIMS / SPOKES | LLANTAS / RADIOS | SPICLES WS 24"x 82mm rims w/ reinforced e-bike spokes |
| TIRES | CUBIERTAS | KENDA KRUSADE SPORT 20x4.0" |
| DRIVETRAIN | GRUPO | |
| CRANK / RING | BIELAS/ PLATOS | PROWHEEL 1 speed crankset, steel ring 48t |
| BOTTOM BRACKET | PEDALIER | BSA Square tupper BB |
| CHAIN | CADENA | KMC Z8 NARROW for E-bike |
| CASSETTE | CASSETTE | 6 speeds 13-28t |
| REAR DERAILLEUR | CAMBIO | SHIMANO TOURNEY 6 speeds |
| SHIFTERS | MANETAS DE CAMBIO | SHIMANO SIS 6 speeds |
| BRAKE SET | FRENOS | |
| BRAKES | PINZAS DE FRENO | ZOOM mechanical disc brake w/ 160mm rotor |
| BRAKE LEVERS | MANETAS DE FRENO | ZOOM w/ soft rubber surface and integrated bell |
| COMPONENTS | COMPONENTES | |
| HEADSET | DIRECCION | Semi integrated 1-1/8" ACB bearings |
| SEATPOST | TIJA SILLIN | FOLDABLE 27.2mm Aluminium |
| SEATPOST CLAMP | CIERRE SILLIN | QR Aluminium |
| SADDLE | SILLIN | Confort City |
| HANDLEBAR | MANILLAR | Aluminium, risser 25,4mm, 580mm |
| STEM | POTENCIA | Aluminium Foldable 25,4mm |
| GRIPS | PUÑOS | Dual compound ergonomic |
| PEDALS | PEDALES | WELLGO K20410 foldable pedals |
| FENDER FRONT/REAR | GUARDABARROS | Yes (OPTIONAL) |
| RACK | PORTABULTOS | Aluminium |
| QUICKSTAND | CABALLETE LATERAL | Aluminium Prop side rear |
| LIGHTS | LUCES | front: white LED |

We reserve the right to modify the characteristics of our products, including equipment, colors and materials without prior notice./ Nos reservamos el derecho a modificar las características de nuestros productos, incluido el equipamiento, colores y materiales sin previo aviso.