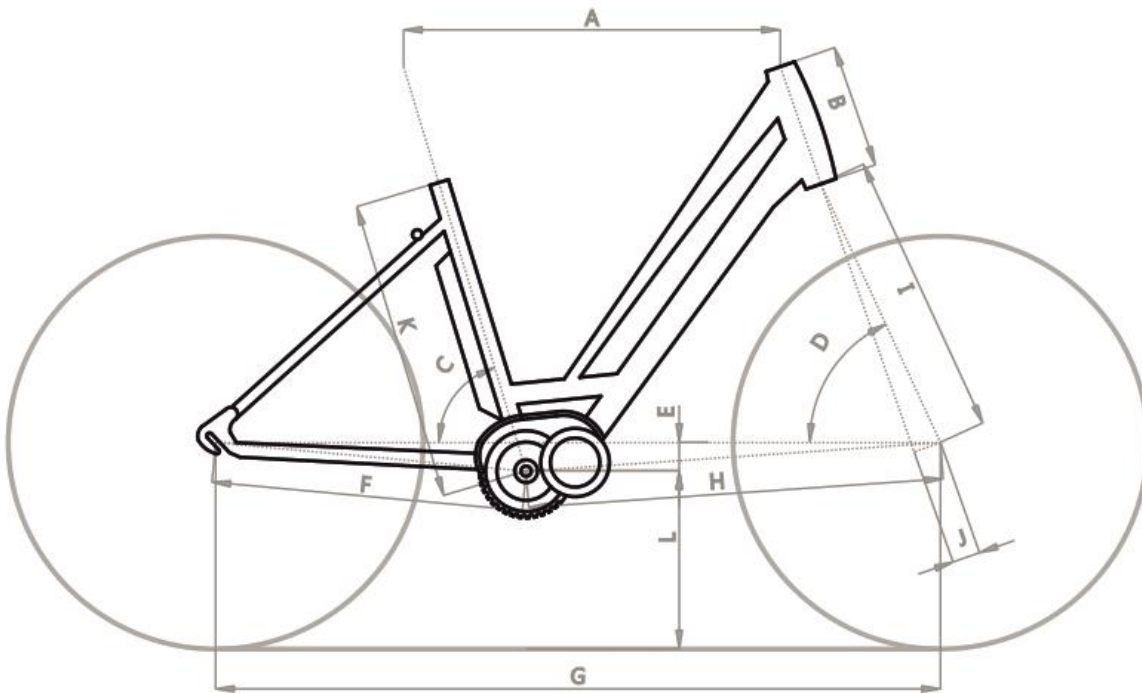


# TOWN-E

| FRAME                   | Cuadro TOWN-E                   |   |
|-------------------------|---------------------------------|---|
| Sizes                   | Tallas                          | 17"   |
| Headset                 | Dirección                       | SEMI INTEGRATED 1-18" (ZS44/28.6upper -ZS44/30 lower) |
| Seatpost diameter       | Diámetro tija sillín            | 27.2 mm   |
| Seat collar             | Diámetro cierre sillín          | 31,8 mm   |
| Bottom bracket          | Caja pedalier                   | BSA 24TPI   |
| Rear brake mount        | Soporte freno disco             | V-BRAKE mount   |
| Rear spacing            | Espaciado trasero               | 120,4 mm x 9mm QR                                     |
| Derailleur hanger       | Patilla de cambio               | -   |
| Braze on                | Soporte portabultos             | yes (for battery rack mount)                          |
| Internal cable routing  | Guiado interno de cables        | brakes & gears  |
| Allowed wheel/tire size | Tamaño rueda/cubierta permitido | 700 x 22-35mm   |
| CHARGUER                | CARGADOR                        | AC 100-240V,2A SMART CHARGER                          |
| CHARGING TIME           | TIEMPO DE CARGA                 | 6-8hours  |
| CAPACITY                | MAX.PESO PERMITIDO              | 120Kg   |
| RANGE                   | RANGO                           | 1:1 PAS mode ,130-150km                               |
| SPEED                   | VELOCIDAD                       | 0-35km/h  |



| SIZE |                        | 17"   |
|------|------------------------|-------|
| A    | Top tube length        | 605   |
| B    | Head tube length       | 120   |
| C    | Seat tube angle        | 73,5° |
| D    | Head tube angle        | 69,0° |
| E    | BB drop                | 45    |
| F    | Chain stay             | 445   |
| G    | Wheel base             | 1180  |
| H    | Front center           | 670   |
| I    | Fork length            | 470   |
| J    | Fork rake              | 50    |
| K    | Seat tube total length | 430   |
| L    | BB height              | 300   |

measures in mm /medidas en mm

# TOWN-E

## COMPONENTS

| <b>TOWN-E</b>            |                          |   |
|--------------------------|--------------------------|---|
| <b>COLORS</b>            | <b>COLORES</b>           | PEARL WHITE   |
| <b>SIZES</b>             | <b>TALLAS</b>            | MEDIUM  |
| <b>FRAME SET</b>         | <b>CUADRO/HORQUILLA</b>  |   |
| <b>FRAME</b>             | <b>CUADRO</b>            | ALUMINIUM ALLOY                                       |
| <b>MOTOR</b>             | <b>MOTOR</b>             | 250W SHENG YI MID MOTOR                               |
| <b>BATTERY</b>           | <b>BATERIA</b>           | 36v 10.4ah li-ion PANASONIC                           |
| <b>CONTROLLER</b>        | <b>CONTROLADOR</b>       | INTELLIGENT BRUSHLESS                                 |
| <b>P.A.S.</b>            | <b>P.A.S.</b>            | 1:1 INTELLIGENT PEDAL ASSISTANT LCD                   |
| <b>FORK</b>              | <b>HORQUILLA</b>         | SR SUNTOUR NEX w/ rebound and lock adjust             |
| <b>WHEELS</b>            | <b>RUEDAS</b>            |   |
| <b>RIMS / SPOKES</b>     | <b>LLANTAS / RADIOS</b>  | 20mm x 700 Aluminium rims w/ reinforced e-bike spokes |
| <b>TIRES</b>             | <b>CUBIERTAS</b>         | KENDA 700C*40C w/ reflective band                     |
| <b>DRIVETRAIN</b>        | <b>GRUPO</b>             |   |
| <b>CRANK / RING</b>      | <b>BIELAS/ PLATOS</b>    | Aluminium cranks w/ steel ring 42t                    |
| <b>BOTTOM BRACKET</b>    | <b>PEDALIER</b>          | BSA Square tupper BB                                  |
| <b>CHAIN</b>             | <b>CADENA</b>            | KMC Z8 NARROW for E-bike                              |
| <b>CASSETTE</b>          | <b>CASSETTE</b>          | -   |
| <b>REAR DERAILLEUR</b>   | <b>CAMBIO</b>            | SHIMANO NEXUS INTER 3-speeds                          |
| <b>SHIFTERS</b>          | <b>MANETAS DE CAMBIO</b> | SHIMANO NEXUS INTER 3-speeds                          |
| <b>BRAKE SET</b>         | <b>FRENOS</b>            |   |
| <b>BRAKES (FRONT)</b>    | <b>FRENO DELANTERO</b>   | TECTRO NOVELA mechanical disc brake w/ 160mm rotor    |
| <b>BRAKES (REAR)</b>     | <b>FRENO TRASERO</b>     | SHIMANO INTER-M roller brake                          |
| <b>BRAKE LEVERS</b>      | <b>MANETAS DE FRENO</b>  | TEKTRO w/ soft rubber surface and integrated bell     |
| <b>COMPONENTS</b>        | <b>COMPONENTES</b>       |   |
| <b>HEADSET</b>           | <b>DIRECCION</b>         | Semi integrated 1-1/8" ACB bearings                   |
| <b>SEATPOST</b>          | <b>TIJA SILLIN</b>       | Aluminium 27,2mm                                      |
| <b>SEATPOST CLAMP</b>    | <b>CIERRE SILLIN</b>     | QR Aluminium  |
| <b>SADDLE</b>            | <b>SILLIN</b>            | VELO Confort City                                     |
| <b>HANDLEBAR</b>         | <b>MANILLAR</b>          | Aluminium, "North Road" geometry ,25,4mm              |
| <b>STEM</b>              | <b>POTENCIA</b>          | Adjustable aluminium city, 25.4mm                     |
| <b>GRIPS</b>             | <b>PUÑOS</b>             | Vintage style Leather look                            |
| <b>PEDALS</b>            | <b>PEDALES</b>           | Aluminium pedals w/ rubber surface                    |
| <b>FENDER FRONT/REAR</b> | <b>GUARDABARROS</b>      | yes   |
| <b>RACK</b>              | <b>PORTABULTOS</b>       | Aluminium   |
| <b>QUICKSTAND</b>        | <b>CABALLETE LATERAL</b> | Aluminium Prop side rear                              |
| <b>LIGHTS</b>            | <b>LUCES</b>             | front: BLAZE LITE led                                 |



We reserve the right to modify the characteristics of our products, including equipment, colors and materials without prior notice. / Nos reservamos el derecho a modificar las características de nuestros productos, incluido el equipamiento, colores y materiales sin previo aviso.