

# ONITAR 2019 SERIE

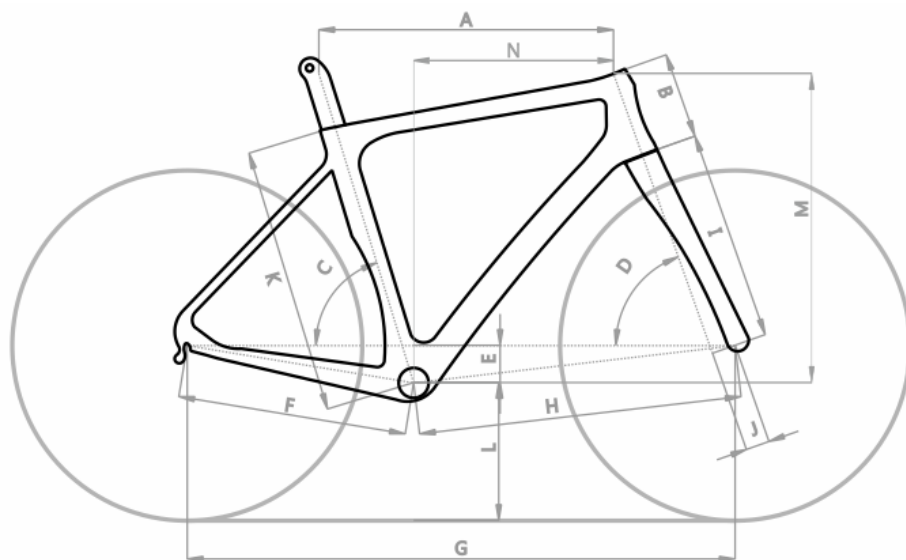
## PARTS & OPTIONS / PARTES Y OPCIONES

|                         |                         | ONITAR_EX 4  | ONITAR_EX 3  | ONITAR_EX 2  | ONITAR_EX 1  |
|-------------------------|-------------------------|--|--|--|--|
|                         |                         | SHIMANO<br>ULTEGRA   | SHIMANO<br>ULTEGRA   | SHIMANO<br>ULTEGRA   | SHIMANO<br>ULTEGRA   |
| <b>WEIGHT (size 54)</b> | <b>PESO (talla 54)</b>  | <b>7,9 kg</b>  | <b>7,8 kg</b>  | <b>8,2 kg</b>  | <b>8,4 kg</b>  |
| <b>FRAME SET</b>        | <b>CUADRO-HORQUILLA</b> |  |  |  |  |
| FRAME                   | CUADRO                  | SPICLES ONITAR CF FRAME  | SPICLES ONITAR CF FRAME  | SPICLES ONITAR CF FRAME  | SPICLES ONITAR CF FRAME  |
| FORK                    | HORQUILLA               | SPICLES ONITAR CF FORK, ,1-1/8"-1,5" tapered ,15mm thru axle, carbon steerer 100mm hub spacing | SPICLES ONITAR CF FORK, ,1-1/8"-1,5" tapered ,15mm thru axle, carbon steerer 100mm hub spacing | SPICLES ONITAR CF FORK, ,1-1/8"-1,5" tapered ,15mm thru axle, carbon steerer 100mm hub spacing | SPICLES ONITAR CF FORK, ,1-1/8"-1,5" tapered ,15mm thru axle, carbon steerer 100mm hub spacing |
| <b>WHEELS</b>           | <b>RUEDAS</b>           |  |  |  |  |
| WHEELS                  | RUEDAS                  | DT SWISS P 1800 SPLINE DB 23, THRU AXEL, 15mm front - 12mm rear                                | DT SWISS PR 1600 DICUT DB 21 , THRU AXEL,15mm front - 12mm rear                                | DT SWISS P 1800 SPLINE DB 23, THRU AXEL,15mm front - 12mm rear                                 | DT SWISS PR 1800 DICUT DB 21 , THRU AXEL,15mm front - 12mm rear                                |
| TIRES                   | CUBIERTAS               | SCHWALBE One HS 462 A,Lite Skin Evo VG, foldable, 700x23C                                      | CONTINENTAL GRAN SPORT RACE, foldable, 700x23  | CONTINENTAL GRAN SPORT RACE, foldable, 700x23  | CONTINENTAL GRAN SPORT RACE, foldable, 700x23  |
| <b>DRIVETRAIN</b>       | <b>GRUPO</b>            |  |  |  |  |
| CRANKSET                | BIELAS                  | SHIMANO ULTEGRA R8000 172,5mm 50-34 11s  | SHIMANO ULTEGRA R8000 172,5mm 50-34 11s  | FSA GOSSAMER PRO ABS BB386EVO 172,5mm, 50-34 11s   | FSA GOSSAMER PRO ABS BB386EVO 172,5mm, 50-34 11s   |
| REAR DERAILLEUR         | CAMBIO                  | SHIMANO ULTEGRA Di2 R8050 11s  | SHIMANO ULTEGRA R8000 11s  | SHIMANO ULTEGRA R8000 11s  | SHIMANO ULTEGRA R8000 11s  |
| FRONT DERAILLEUR        | DESVIADOR               | SHIMANO ULTEGRA Di2 R8050  | SHIMANO ULTEGRA R8000  | SHIMANO ULTEGRA R8000  | SHIMANO ULTEGRA R8000  |
| CASSETTE                | CASSETTE                | SHIMANO ULTEGRA 11-28 11s  | SHIMANO ULTEGRA 11-28 11s  | SHIMANO ULTEGRA 11-28 11s  | SHIMANO ULTEGRA 11-28 11s  |
| SHIFTERS / BRAKE        | MANDOS/FRENOS           | SHIMANO ULTEGRA DI2 R8000 11x2s  | SHIMANO ULTEGRA R8000 11x2s  | SHIMANO ULTEGRA R8000 11x2s HYDRAULIC  | SHIMANO 105 STI 11x2s  |
| CHAIN                   | CADENA                  | SHIMANO HG601 DYNA-SYS 11s   | SHIMANO HG601 DYNA-SYS 11s   | SHIMANO HG601 DYNA-SYS 11s   | SHIMANO HG601 DYNA-SYS 11s   |
| BOTTOM BRACKET          | PEDALIER                | FSA BB386EVO   | FSA BB386EVO   | FSA BB386EVO   | FSA BB386EVO   |



| BRAKE SET            | FRENOS         | FRENOS   |  |  |  |
|----------------------|----------------|--|--|--|--|
| BRAKE CALIPER        | PINZA DE FRENO | SHIMANO RS305, MECHANICAL, FLAT MOUNT              | SHIMANO RS305, MECHANICAL, FLAT MOUNT              | SHIMANO ULTEGRA RS805, HYDRAULIC, FLAT MOUNT       | SHIMANO RS305, MECHANICAL, FLAT MOUNT      |
| ROTOR (FRONT & REAR) | DISCOS         | SHIMANO 140MM C.LOCK ULTEGRA ST800 ICE-TECH-FREEZA | SHIMANO 140MM C.LOCK ULTEGRA ST800 ICE-TECH-FREEZA | SHIMANO 140MM C.LOCK ULTEGRA ST800 ICE-TECH-FREEZA | SHIMANO XT ICE-TECH 160 mm                 |
| COMPONENTS           | COMPONENTE     |  |  |  |  |
| HEADSET              | DIRECCIÓN      | INTEGRATED 1-1/8"-1,5", ACB sealed bearing         | INTEGRATED 1-1/8"-1,5", ACB sealed bearing         | INTEGRATED 1-1/8"-1,5", ACB sealed bearing         | INTEGRATED 1-1/8"-1,5", ACB sealed bearing |
| SEATPOST             | TIJA SILLÍN    | SPICLES CARBON aero                                | SPICLES CARBON aero                                | SPICLES CARBON aero                                | SPICLES CARBON aero                        |
| SADDLE               | SILLÍN         | PRO CONDOR AF 132mm                                | PRO CONDOR AF 132mm                                | PRO CONDOR AF 132mm                                | SELLE ROYAL MATCH CLASSIC                  |
| HANDLEBAR            | MANILLAR       | SPICLES CARBON SPC ROAD 1 , 31,8mmx420mm           | SPICLES CARBON SPC ROAD 1 , 31,8mmx420mm           | SPICLES CARBON SPC ROAD 1 , 31,8mmx420mm           | XLC 31,8mmx420mm                           |
| STEM                 | POTENCIA       | PRO PLT 110mm ,+/-10º, 31,8mm                      | XLC COMP, 110mm, +/-6º, 31.8mm                     | PRO PLT 110mm ,+/-10º, 31,8mm                      | XLC COMP, 110mm, +/-6º, 31.8mm             |
| GRIPS                | PUÑOS / CINTA  | XLC GEL  | XLC GEL  | XLC GEL  | XLC GEL                                    |
| <b>SIZES</b>         | <b>TALLAS</b>  | 48 - 50 -52 - 54 - 56                              | 48 - 50 -52 - 54 - 56                              | 48 - 50 -52 - 54 - 56                              | 48 - 50 -52 - 54 - 56                      |

GEOMETRY / GEOMETRIA



| SIZE | TALLA   | 48cm  | 50cm  | 52cm  | 54cm  | 56cm  |
|------|---|-------|-------|-------|-------|-------|
| A    | Top tube length<br>Tubo horizontal                          | 515   | 535   | 550   | 565   | 580   |
| B    | Head tube length<br>Tubo de dirección                       | 121   | 142   | 162   | 182   | 207   |
| C    | Seat tube angle<br>Ángulo del sillín                        | 74,5º | 73,5º | 73º   | 73º   | 72,5º |
| D    | Head tube angle<br>Ángulo de dirección                      | 69º   | 70º   | 70,5º | 71,5º | 72,5º |
| E    | BB drop<br>Caída eje pedalier                               | 70    | 70    | 70    | 70    | 70    |
| F    | Chain stay<br>Vaina   | 430   | 430   | 430   | 430   | 430   |
| G    | Wheel base<br>Distancia entre ejes                          | 1018  | 1020  | 1025  | 1031  | 1035  |
| H    | Front center<br>Longitud eje pedalier a horquilla delantera | 595   | 599   | 605   | 610   | 615   |
| I    | Fork length<br>Longitud horquilla                           | 393   | 393   | 393   | 393   | 393   |
| J    | Fork rake<br>Avance de la horquilla                         | 45    | 45    | 45    | 45    | 45    |
| K    | Seat tube total length<br>Longitud tubo sillín              | 465   | 485   | 500   | 515   | 530   |
| L    | BB height<br>Altura pedalier                                | 266   | 266   | 266   | 266   | 266   |
| M    | Stack<br>Stack  | 535   | 558   | 579   | 602   | 628   |
| N    | Reach<br>Reach  | 367   | 370   | 373   | 381   | 382   |

measures in mm / medidas en mm

## ONITAR FRAME

## ONITAR cuadro

|                         |                                    |  |
|-------------------------|------------------------------------|--|
| Sizes                   | Tallas                             | 48 - 50 -52 - 54 - 56                                      |
| Headset                 | Dirección                          | 1-18" -1.5" tapered, IS42upper -IS52 lower                 |
| Seatpost                | Tija                               | Aero seatpost with integrated bolt                         |
| Front derailleur type   | Desviador, tipo                    | down pull , Braze-on                                       |
| Bottom bracket          | Caja pedalier                      | BB386  |
| Di2 /ETAP compatible    | Di2 /ETAP compatible               | yes  |
| Rear brake mount        | Soporte freno disco                | Flat Mount estándar  |
| Rear spacing            | Espaciado trasero                  | 142mm (w/ 12mm thru axle hanger)/ 130mm (w/ 9mm QR hanger) |
| Derailleur hanger       | Pata cambio                        | SHT.172503 (12mm thru axle), SHT.172504 (9mm QR)           |
| Bottle mount            | Soportes botellas                  | 2  |
| Internal cable routing  | Guiado interno de cables           | brakes & gears   |
| Allowed wheel/tire size | Medida de rueda/cubierta permitida | 700 x 22-35mm  |
| Weight                  | Peso                               | 1,12kg (size 54)   |

## ONITAR CF FORK

## ONITAR CF FORK

|                   |                         |                              |
|-------------------|-------------------------|------------------------------|
| Fork length       | Longitud de horquilla   | 393mm                        |
| Stem clamp        | Diametro potencia       | Ø 28.6mm                     |
| Crown race        | Diámetro tubo dirección | Ø 40mm                       |
| Front brake mount | Soporte freno disco     | Flat Mount estándar          |
| Front spacing     | Espaciado delantero     | 100 x 15mm thru axle         |
| Steerer options   | Tubo dirección          | 1-1/8"- 1,5" tapered, carbon |
| Weight            | Peso                    | 496g                         |

We reserve the right to modify the characteristics of our products, including equipment, weight, colors and materials without prior notice. / Nos reservamos el derecho a modificar las características de nuestros productos, incluido el equipamiento, peso, colores y materiales sin previo aviso.